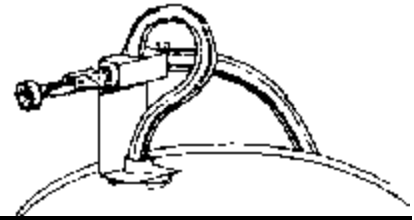


HYDROMASTER MODEL 220



Package Contains:

1. Drum proportioner.
2. Suction tube (4 feet) with foot valve.
3. Discharge tube (4 feet).
4. Metering tip kit.
5. Product information sheet.

THANK YOU FOR YOUR INTEREST IN OUR PRODUCTS

Hydro Systems manufactures quality chemical proportioners. Please use this equipment carefully and observe all warnings and cautions.
 ***** NOTE *****

WEAR	protective clothing and eyewear when dispensing chemicals or other materials.
ALWAYS	observe safety and handling instructions of the chemical manufacturers.
ALWAYS	direct discharge away from you or other persons or into approved containers.
ALWAYS	dispense cleaners and chemicals in accordance with manufacturer's instructions. Exercise CAUTION when maintaining your equipment.
CLEAN	equipment after each use in accordance with instruction sheet.
WEAR	protective clothing and eyewear when working in the vicinity of all chemicals, filling or emptying equipment or changing metering tips.
ALWAYS	re-assemble equipment according to instruction procedures. Be sure all components are firmly screwed or latched into position.
ATTACH	only to tap water outlets - 85 PSI maximum.

Installation and Operation: (see parts drawing to identify names of parts)

1. Select a metering tip (see next section). Thread metering tip into the suction stub. Slide the open end of the suction tube through the bung adapter, then over the suction stub.
2. Slide end of discharge tube over the eductor discharge outlet.
3. Remove the bung from an upright drum.
4. Insert the foot valve end of the suction tube into the drum.
5. Swivel the drum adaptor several turns in the bung opening until the bracket is secure.
6. Install minimum 1/2" ID water hose between the inlet swivel and water supply spigot. (Minimum 25 PSI flowing water pressure is required to operate the unit.)
7. Attach end of discharge tube with clamp to discharge end of eductor. Secure with clamp
8. Turn on water supply. To begin dispensing solution, place discharge tube into container, then open ball valve at inlet to unit. Turn ball valve off to stop flow of solution. Hang discharge tube end up using hook provided.

Metering Tip Selection:

The final concentration of the dispensed liquid is related to both the size of the metering tip opening (orifice) and the viscosity of the liquid being siphoned. If product viscosity is noticeably greater than that of water, consult the procedure for Measurement of Concentration on the next page to achieve your desired water-to-product ratio. For water-thin products, use the chart below as a guideline. Because such factors as inlet water pressure and temperature can affect dilution ratios, the figures listed below are only approximate. Test the actual dilution you are achieving using the Measurement of Concentration procedure for best results. Two undrilled, clear tips are supplied for drilling sizes not listed.

Tip Color	Orifice Size Standard Drill	Approximate Dilution Ratio at 40 PSI, water-thin viscosity (1.0 cp)	Approximate Per Cent
No tip	---	8:1	11.0
Grey	30	12:1	8.5
Black	40	18:1	5.0
Beige	50	32:1	3.0
Red	55	48:1	2.0
White	57	64:1	1.5
Blue	60	80:1	1.0
Tan	65	136:1	0.7
Green	70	208:1	0.5
Orange	72	256:1	0.4
Brown	74	296:1	0.35
Yellow	76	344:1	0.3
Purple	80	656:1	0.15
Pink	87	1136:1	0.1

Measurement of Concentration

You can determine the dispensed water-to-product ratio by operating the primed dispenser for a minute or so and noting two things: the amount of dispensed water/product mixture, and the amount of concentrate used in preparation of the solution dispensed. The water-to-product ratio is then calculated as follows:

$$\text{Dilution (X:1)} = \frac{\text{Amount of Mixed Solution} - \text{Amount of Concentrate Drawn}}{\text{Amount of Concentrate Drawn}}$$

Dilution ratio, then, equals X parts water to one part concentrate (X:1). If the test does not yield the desired ratio, choose a different tip and repeat the test. Alternative methods to this test are 1) pH (using litmus paper), and 2) titration. Contact your concentrate supplier for further information on these alternative methods and the materials required to perform them.

Troubleshooting:

Problem	Cause	Remedy
1. Unit does not draw concentrate	a. Clogged foot valve strainer b. Metering tip orifice obstructed c. Water pressure too low d. Mineral deposits in eductor e. Flooding ring not in place	a. Clean or replace b. Rinse orifice or replace with new tip c. Minimum 25 PSI required. Replumb line or use different source d. Descale* or replace eductor e. Replace discharge tube
2. Water gets into concentrate container	a. Heavy mineral deposits in eductor b. Faulty or missing foot valve	a. Descale* or replace eductor b. Repair or replace foot valve
3. Unit continuously draws concentrate	a. End of discharge tube lower than eductor	a. Always hang discharge tube from unit using hook provided on end

* Mineral deposits, known as scale, may form at the discharge of the eductor, particularly in hard water areas. To remove scale, soak the eductor in a descaling or deliming solution. Alternately, the descaling solution can be siphoned into the eductor by operating the unit with the foot valve in the descaling solution. After operating the unit in this manner for a minute, put foot valve in clear water and operate for another minute to flush the unit. Return the foot valve to the concentrate for normal use.

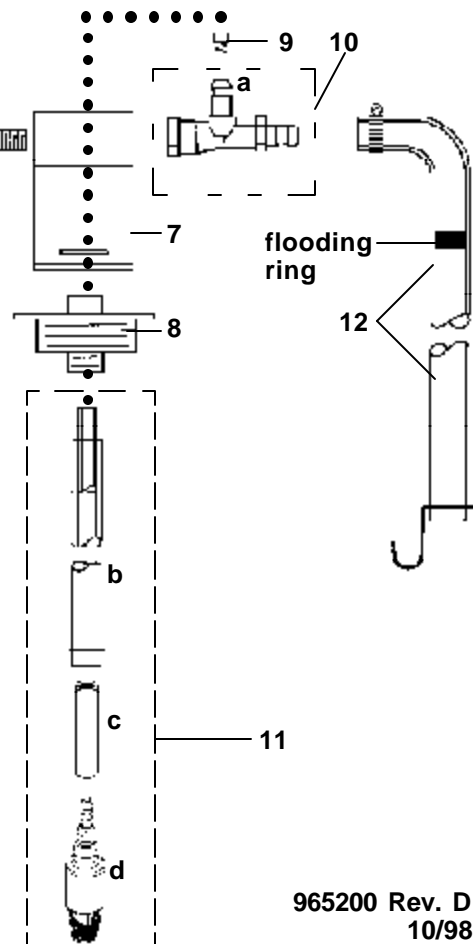
Parts Information:

KEY	PART NO.	DESCRIPTION
1	238100	Strainer washer
2	607900	Hose swivel
3	270700	Hose washer
4	611500	Adaptor
5	508700	Ball valve
6	508800	Nipple
7	6158-K	Mounting bracket
8	6162-A	Bung adaptor assembly
9	690015	Metering tip (kit)
10	5095-K	Eductor assembly (includes a)
a	440201	Suction stub only
11	5058-4DM	Suction tube assembly (includes b, c & d)
b	505804	Tubing, 1/2" I.D. x 4'
c	250006	Weight
d	10076301	Foot valve, Viton*
12	5084-4A	Discharge tube assembly

* EPDM foot valve available: Order 10076302.



Hydro Systems Company
3798 Round Bottom Rd., Cincinnati, OH 45244 U.S.A.
Phone: (513) 271-8800 / Fax: (513) 271-0160



965200 Rev. D
10/98